

10.4" ALD10F Series

True Flat LCD Customer Display

acode®

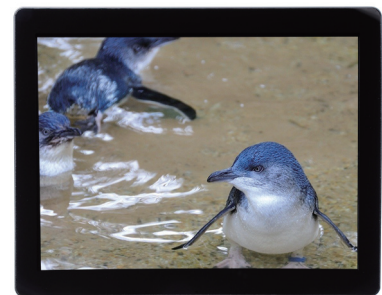
bigger screen bright colours user friendly

This Window-Based LCD Graphic Display has outstanding display quality. It is easy to use and maintain. More importantly, it can support a wide range of user applications and different multimedia presentation formats including videos, html, flash, and animation.



ALD10UF-MP
(Multi-media)
Pole Display

ALD10UF
Wallmount Display

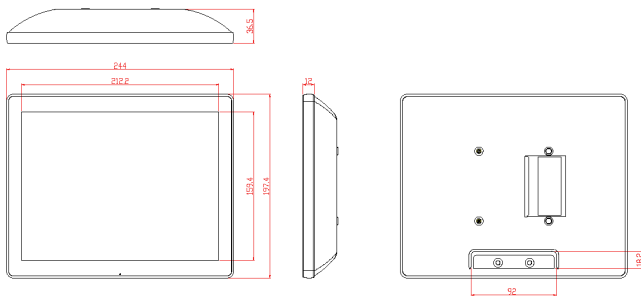


ALD10UF-VP (Slide show)
Desktop Display

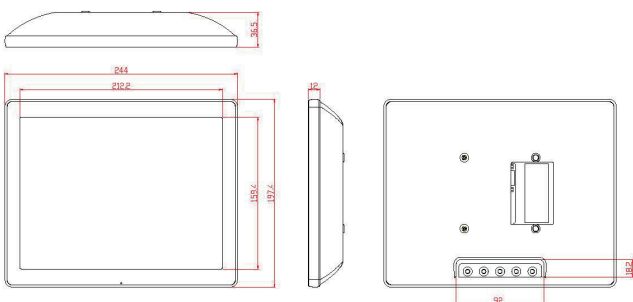


	ALD10UF (USB to VGA)	ALD10VF (VGA)
Display Size	10.4"	10.4"
Active Area	211.2 * 158.4 mm	211.2 * 158.4 mm
Optimal Resolution	800 * 600	800 * 600
Brightness	250 cd/m ² (typ)	250 cd/m ² (typ)
Contrast Ratio	500:1	500:1
Response Time	20 ms (typ)	20 ms (typ)
Viewing Angle	140(H) / 110 (V) degrees	140(H) / 110 (V) degrees
Input Video Format	USB	VGA
Input Video Signal Connector	USB B-Type (Optional) Display with Touchscreen : USB B-Type*2	DIN
Touch Panel Resistive (Optional)	USB Interface Resistive Touch	USB Interface Resistive Touch
Power consumption	500mA/2.5W	8W
Input Frequency	Horizontal : 31.5 kHz~60.2 kHz Vertical : 56.3Hz~75Hz	Horizontal : 31.5 kHz~60.2 kHz Vertical : 56.3Hz~75Hz
Power Supply	DC 5V +/- 5 %	DC 12V +/- 10%
Temperature	Operating : 0°C ~40°C Storage : -10°C ~ 50°C	Operating : 0°C ~40°C Storage : -10°C ~ 50°C
Humidity	Operating : 20% ~ 80% Storage : 10% ~ 90%	Operating : 20% ~ 80% Storage : 10% ~ 90%
Weight	0.8kg(net) (Optional) Display with Touchscreen : 1.0kg(net)	0.9kg(net) (Optional) Display with Touchscreen : 1.1kg(net)
Approvals	CE, FCC	CE, FCC
Dimension WxHxD	244 * 197.4 * 36 mm	244 * 197.4 * 36 mm
Wall Mount	VESA 75 * 75 mm	VESA 75 * 75 mm

ALD10UF Dimension



ALD10VF Dimension



Specifications are subject to change without prior notice.